



Riselaser

RL-C1000 LASER CLEANING MACHINE 1000W

CW fiber laser cleaning machine 1000W LASER with an ultra-compact full metal resonator designed for compact and mobility.

Laser cleaning is accomplished by handhold or robot arm, connected to the power unit by a heavy-duty yet flexible 15 meter fiber-optic cable (available up to 100 m).

Laser source is CW laser with special modulation function for cleaning.

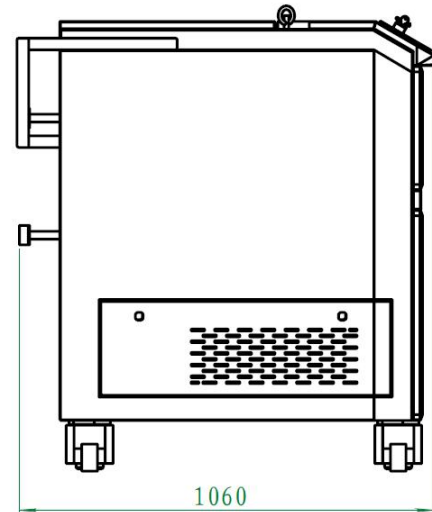
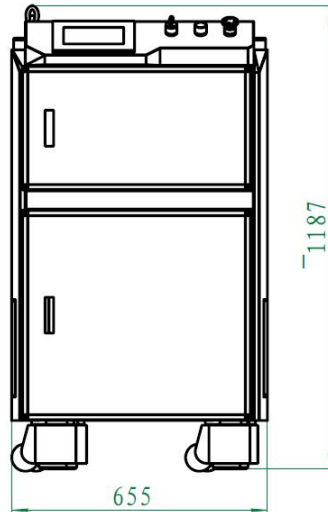
Touch screen controls with self-diagnostic features make this laser very easy to operate and adjust for optimal results in many applications.

Main Features

- High power CW laser 1000W
- Optimize beam quality
- Excellent cleaning result without damaging materials
- Efficient cleaning speed due to excellent beam design
- Integrated water chiller inside the machine
- Support robot and motor auto cleaning
- Compact design and free mobility
- Gun moving distance 15m-100m
- Free software on touch screen and easy to use

Parameter	
Wavelength	~1080nm
Average power	> 1000W
Frequency	0-50 kHz
Laser type	CW fiber laser
Beam width	10-100mm (adjustable)
Working life	15,000 hours
Machine weight	200kg
Cooling	Inner water chiller

1000W Photo and Size



1000W Cleaning Results



Paint oil cleaning



Oxidized layer cleaning



Tire die cleaning



Heavy rust cleaning